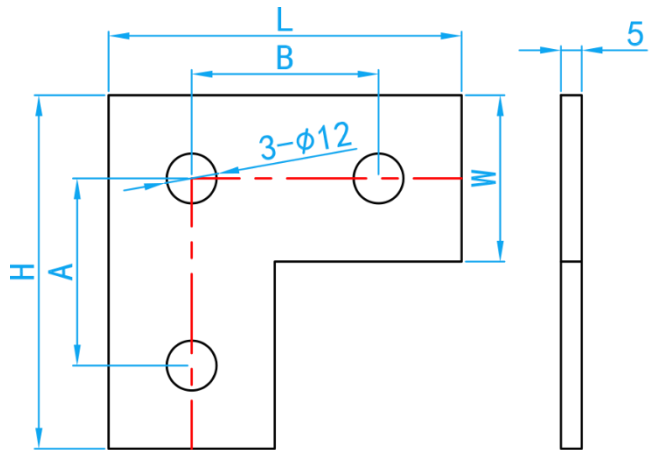
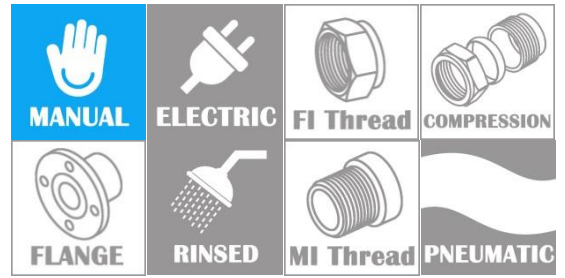
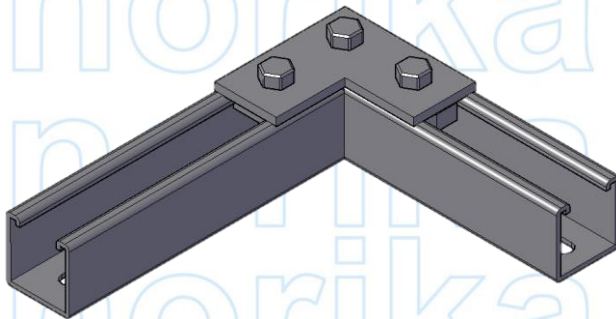


UNISTRUT FLAT L PLATE BRACKET



SIDE VIEW



INSTALLATION ASSEMBLY

COMPONENT PARTS

| | |
|----------|-----------------|
| MATERIAL | Mild Steel |
| COATING | Cold Galvanized |

DIMENSIONS

| SKU | H (mm) | A (mm) | L (mm) | B (mm) | HOLE D (mm) | W (mm) | T (mm) | WEIGHT (kg) | PCS/CTN |
|-------|--------|--------|--------|--------|-------------|--------|--------|-------------|---------|
| OLFLP | 85 | 45 | 85 | 45 | 12 | 40 | 5 | 0.173 | 100 |